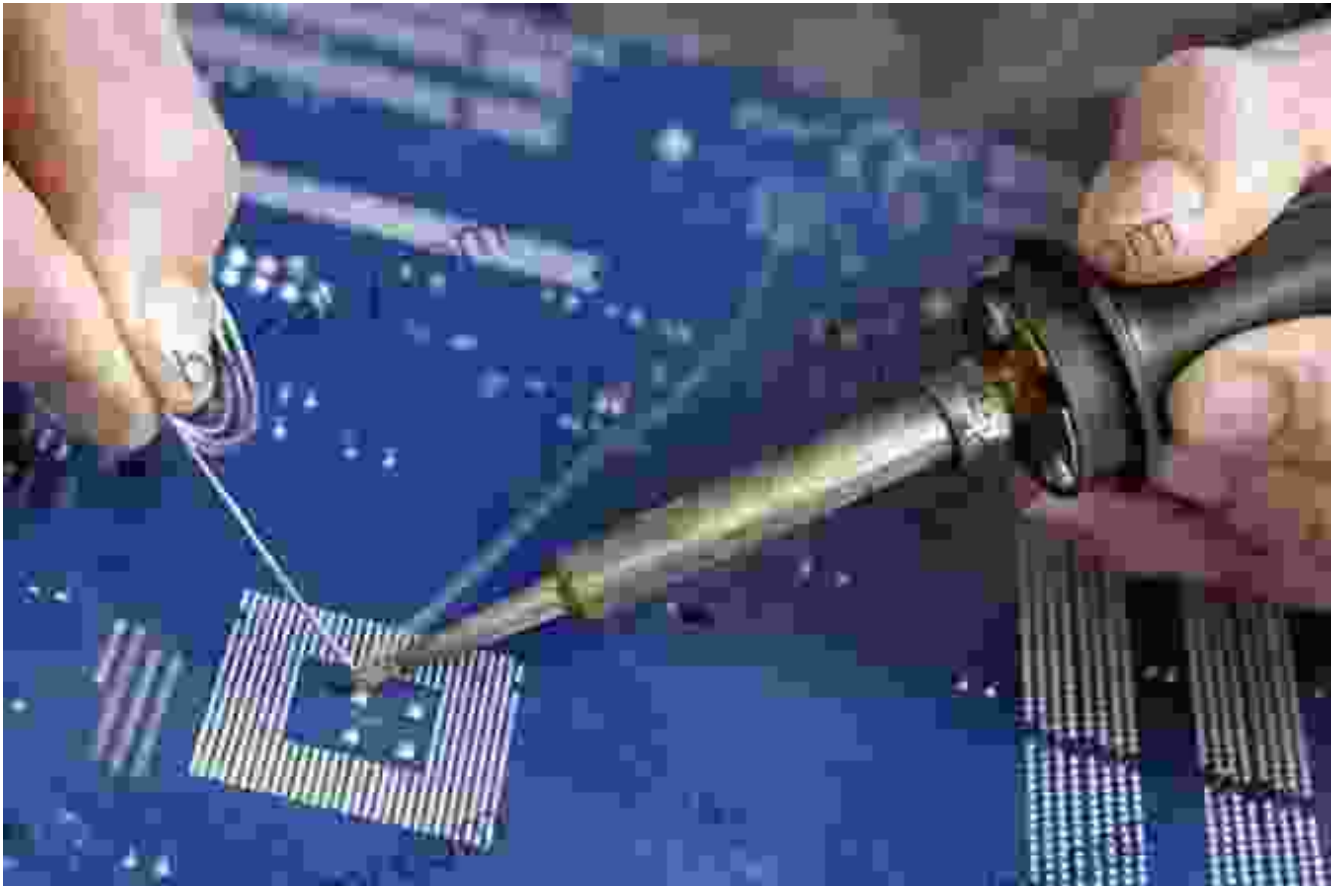
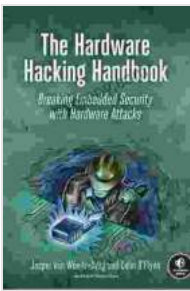


Empower Your Inner Tech Titan: Dive into the Secrets of The Hardware Hacking Handbook

Chapter 1: Unveiling the World of Hardware Hacking



Welcome to the electrifying realm of hardware hacking, where limits are challenged and innovation comes alive. In this captivating chapter, you'll embark on a journey into the heart of this thrilling field, unlocking its secrets and discovering the boundless possibilities that await you. From the basics of digital circuitry to the intricacies of microcontrollers, this comprehensive guide will equip you with the knowledge and skills to transform your hardware dreams into tangible realities.



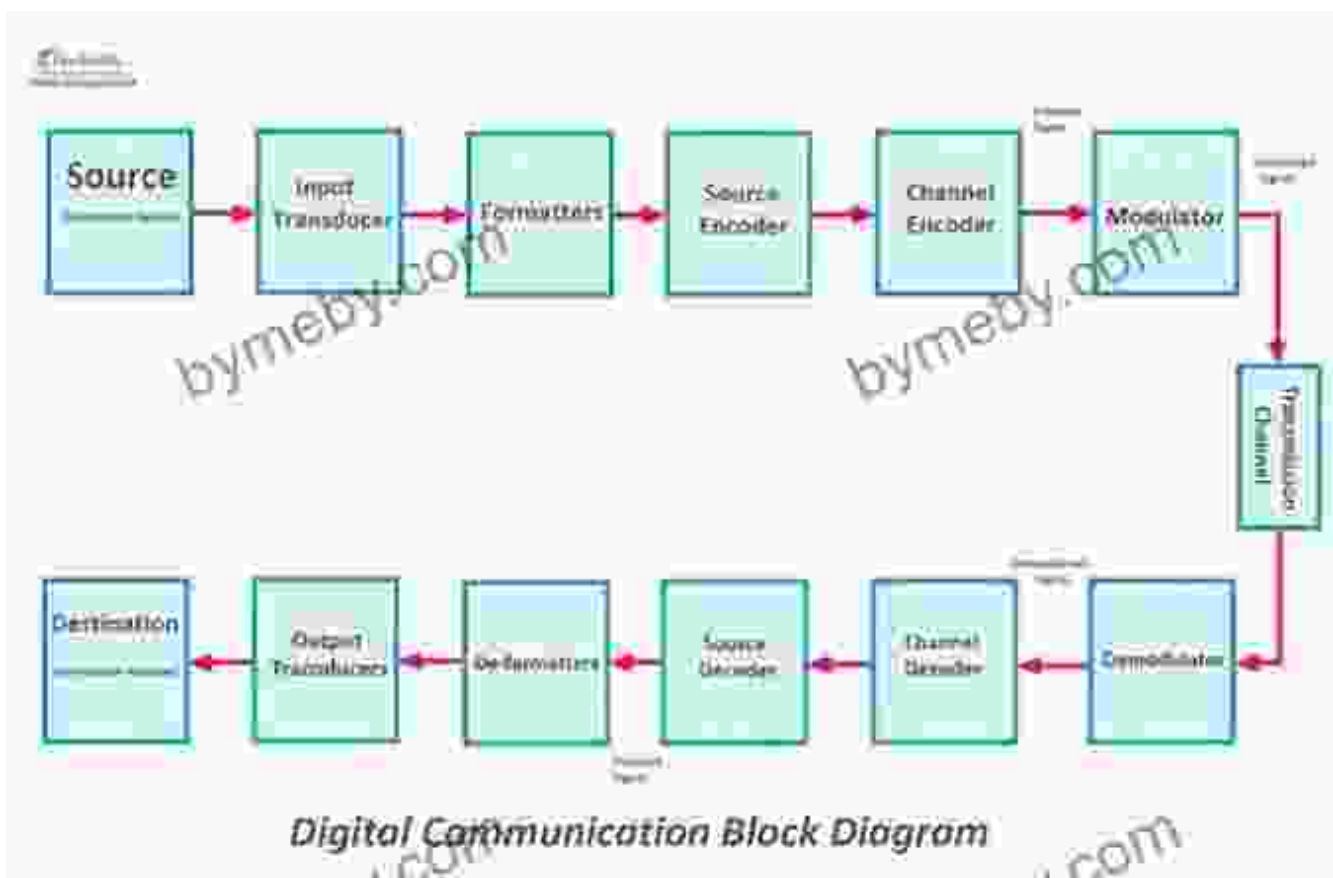
The Hardware Hacking Handbook: Breaking Embedded Security with Hardware Attacks by Jasper van Woudenberg

★★★★☆ 4.9 out of 5

Language : English
File size : 34198 KB
Text-to-Speech : Enabled
Screen Reader : Supported
Enhanced typesetting : Enabled
Print length : 489 pages



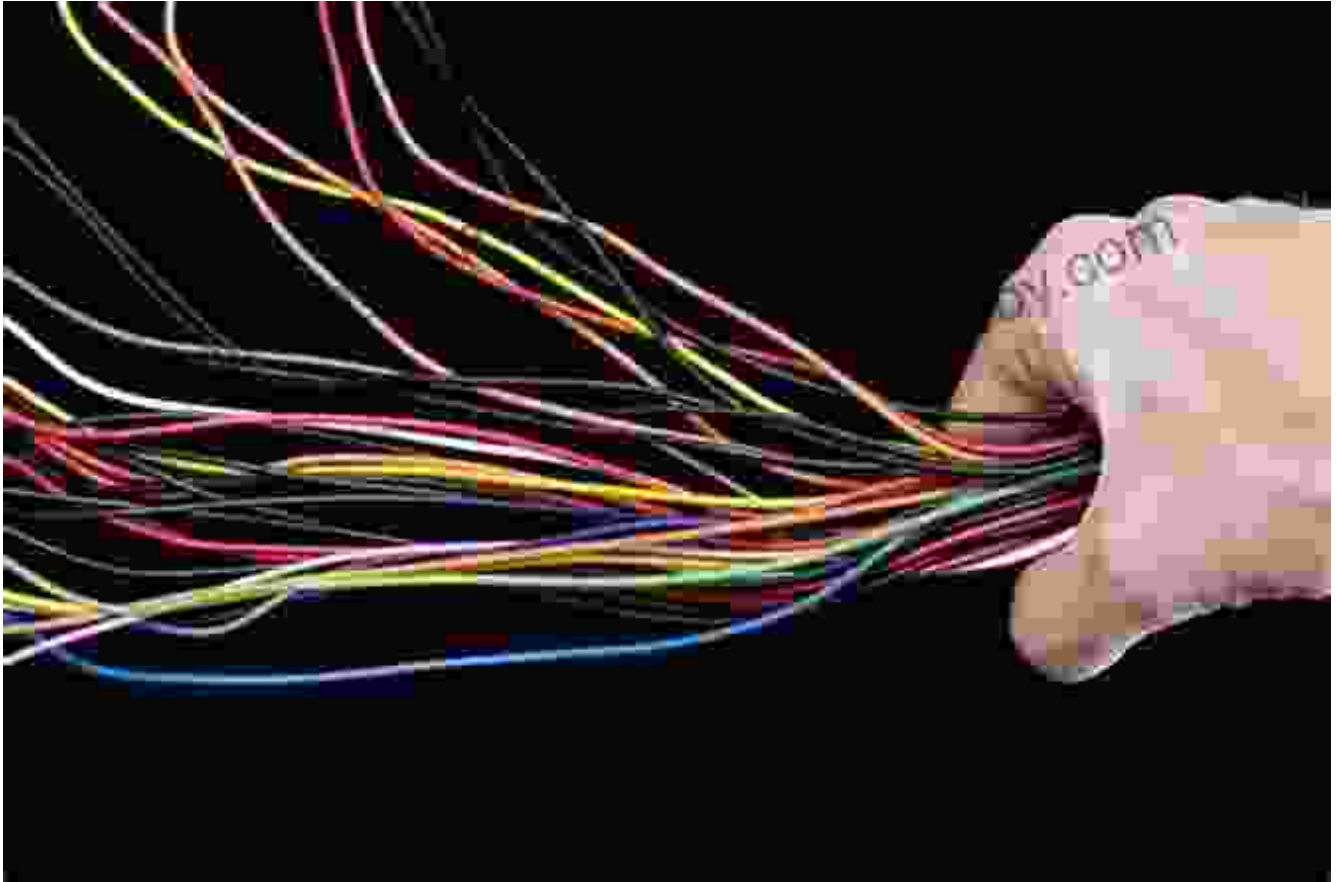
Chapter 2: Delving into Digital Logic and Microcontrollers



Prepare yourself to navigate the intricate world of digital logic and microcontrollers. This chapter will dissect the fundamental building blocks

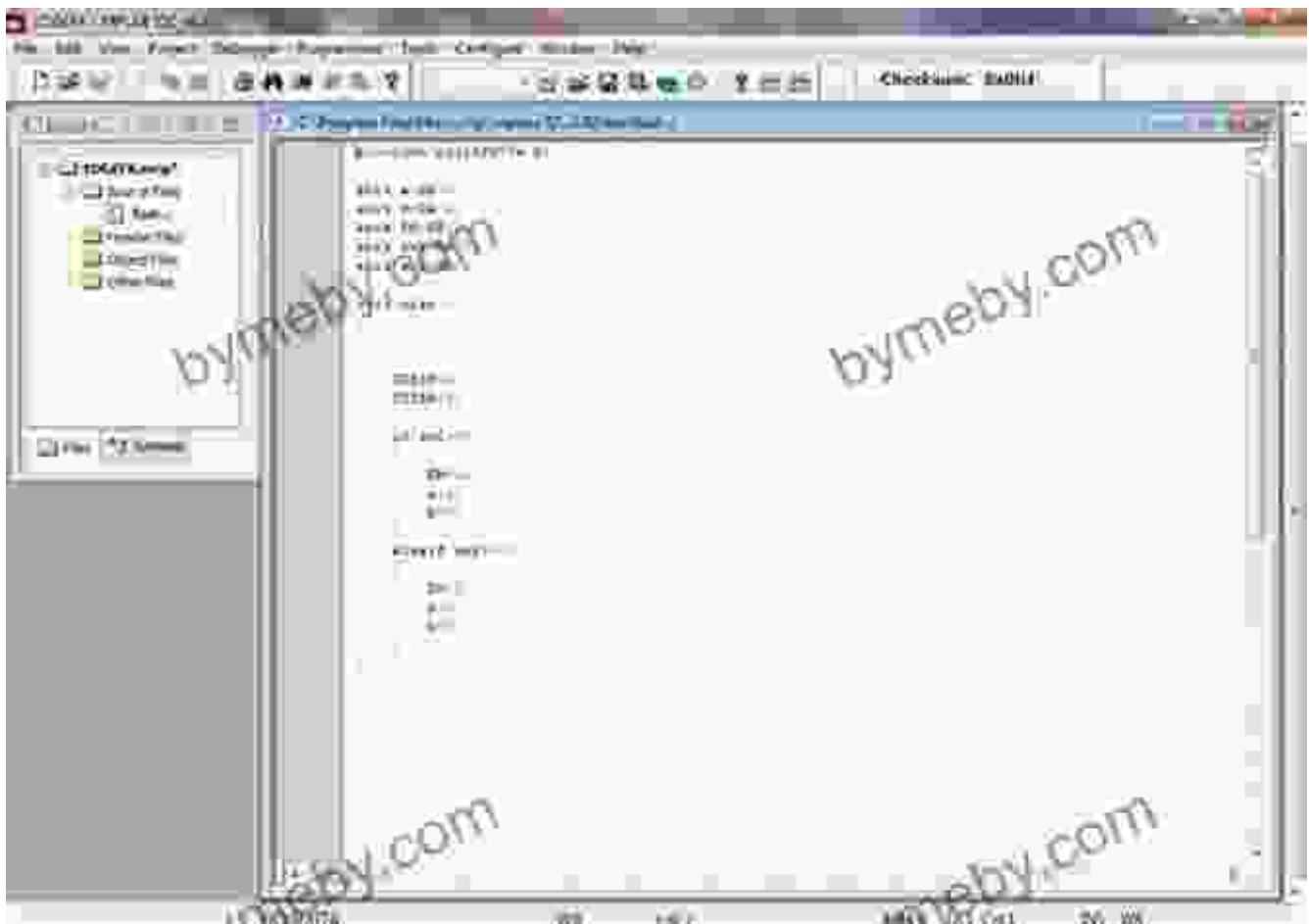
of digital systems, exploring the concepts of Boolean algebra, logic gates, and flip-flops. You'll also gain a comprehensive understanding of microcontrollers, their architecture, and their pivotal role in controlling hardware devices.

Chapter 3: Mastering the Art of Interfacing and Communication



Get ready to connect the dots between different hardware components and establish seamless communication channels. In this chapter, you'll delve into the art of interfacing, exploring techniques for connecting sensors, actuators, and other peripherals to microcontrollers. You'll also master various communication protocols, enabling your devices to exchange data effortlessly.

Chapter 4: Penetrating the Depths of Microcontroller Programming



Dive into the captivating realm of microcontroller programming and unleash the full potential of your hardware creations. This chapter will introduce you to the essential programming languages, such as C and assembly, and guide you through the intricacies of developing and debugging microcontroller code. You'll learn how to write efficient and reliable programs that bring your hardware projects to life.

Chapter 5: Pushing the Boundaries: Advanced Hardware Hacking Techniques



As you progress on your hardware hacking journey, it's time to push the boundaries and delve into advanced techniques. This chapter will unveil the mysteries of reverse engineering, helping you understand how hardware devices work and how to modify them. You'll also explore specialized techniques such as memory manipulation, debugging, and embedded system design, empowering you to create your own cutting-edge hardware solutions.

Chapter 6: Ethical Considerations and Real-World Applications



While the pursuit of knowledge is paramount, it's equally important to navigate the ethical considerations surrounding hardware hacking. This chapter will guide you through the responsible use of your newly acquired skills, ensuring that your actions align with the principles of safety, security, and privacy. You'll also explore inspiring real-world applications of hardware hacking, demonstrating how this powerful tool can be leveraged to make a positive impact on society.

: Unleashing Your Hardware Hacking Potential



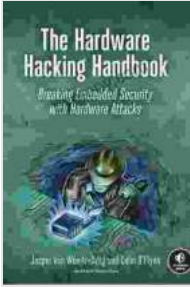
As you reach the culmination of your hardware hacking journey, it's time to reflect on the transformative power you now possess. The knowledge and skills you've gained will empower you to create, innovate, and solve real-world problems through the magic of hardware. Whether you aspire to build your own electronic devices, contribute to open-source projects, or pursue a career in hardware engineering, this handbook will serve as an invaluable companion every step of the way. So embrace the boundless possibilities that lie ahead, and let your hardware hacking adventures continue to inspire and ignite your passion for years to come.

The Hardware Hacking Handbook: Breaking Embedded Security with Hardware Attacks by Jasper van Woudenberg

★★★★★ 4.9 out of 5

Language : English

File size : 34198 KB



Text-to-Speech : Enabled
Screen Reader : Supported
Enhanced typesetting : Enabled
Print length : 489 pages

FREE

DOWNLOAD E-BOOK



Unveiling the Enthralling World of "Belong to the Baddest Girl at School, Volume 01": A Literary Masterpiece that Captivates and Empowers

In the vibrant and tumultuous realm of adolescence, where friendships are forged, identities are questioned, and the quest for belonging intensifies, "Belong...



"My Sadistic Boyfriend": A Story of Love, Pain, and Redemption

Embark on a Literary Journey of Unforgettable Emotions Prepare yourself for a literary experience that...